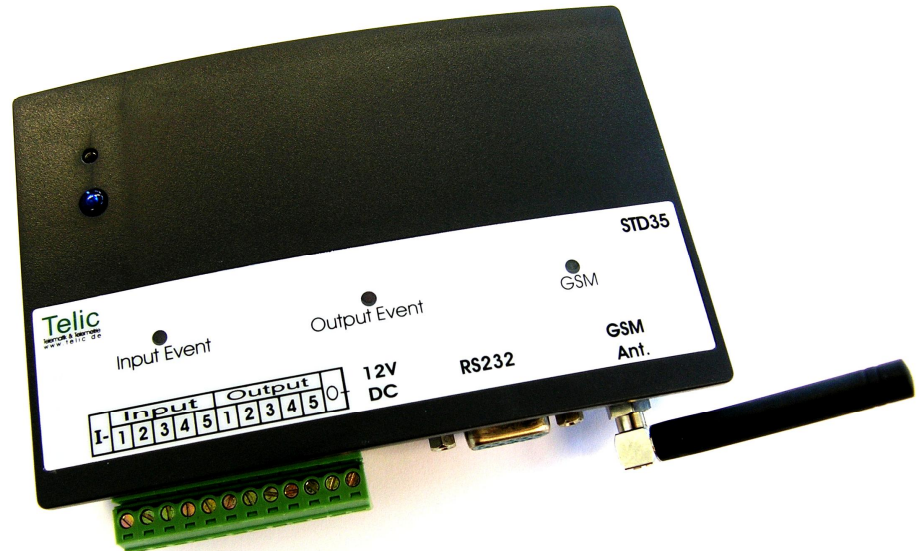


Telic STD35

The powerful GSM telemetry and tracking solution for surveillance and remote control applications based on GSM network

Features:

- Easy configuration
- Installation in existing alarm systems
- 5 digital inputs
- 5 different alarm messages via SMS
- 5 alarm addresses
- 5 digital control outputs (6A at max. 30V)
- 1 output can be controlled via phone call
- Up to several hundred users configurable
- 3 LEDs for status information
- Small dimensions: 125 x 95 x 35 mm
- 5-36 V DC supply
- -30°C to +75°C
- CE approval
- RoHS compliant



STD35

Features

- Compact telemetry device for professional use
- Use your mobile phone to get up to two individual alarm messages via SMS in case your alarm system has been triggered etc.
- You can configure up to 5 different people who should be informed via SMS in case of an alarm situation (e.g. private security service, facility manager)
- You can configure up to several hundred users who are able to switch something with a simple phone call (e.g. opening the garage door of an apartment block)
- You can configure the STD35 as a normal GSM modem via the RS232 interface (AT Commands)
- You can connect a GPS mouse (optional accessory) to the STD35 to get the GPS position (longitude, latitude) upon request onto your mobile phone via SMS

Typical Applications

Applications for alarms via SMS:

- burglar alarm
- car alarm
- boat and caravan alarm
- water level control
- switching of pumps
- temperature control (additional hardware required)
- tracking by LBS provider (internet based)
- and many more

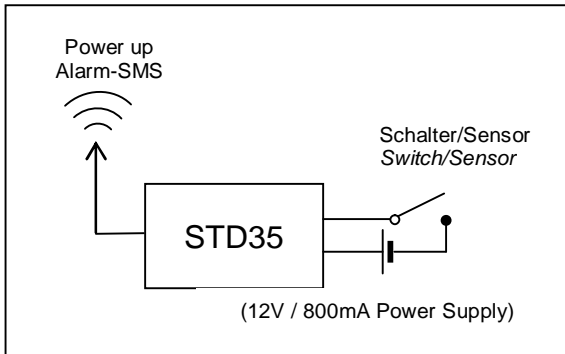
Applications for control tasks via mobile phone:

- heating system
- air condition
- sauna
- garage door
- light
- facility management in general (e.g. access control)
- and many more

STD35 - The powerful GSM telemetry & tracking Solution

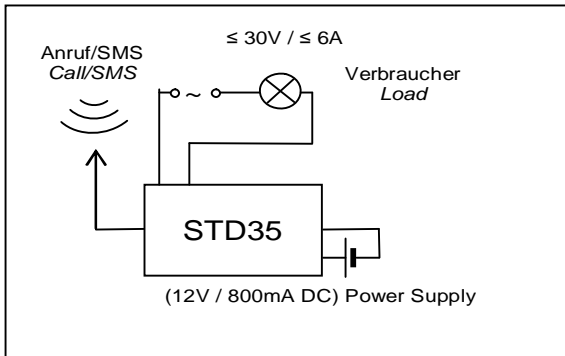
Installation Examples

SMS Power up alarm as simple sensors or switches



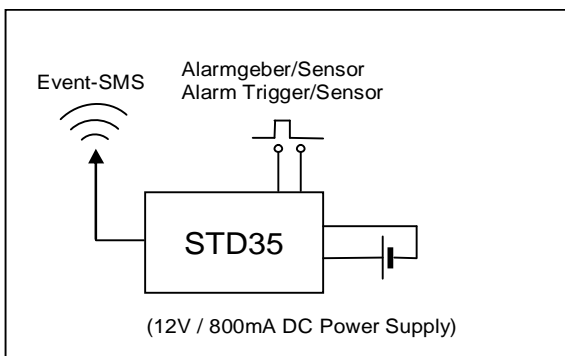
Just connect the STD35 to a 12V power supply and you can receive a power up SMS on your mobile phone, after the STD35 has logged into the GSM network (switching on the power supply e.g. by a door contact switch or other alarm sensors)

SMS Power up alarm as simple sensors or switches



Just call the STD35 with your mobile phone or send a control SMS and you can switch on/off any load up to 30V/6A (e.g. heating system, air condition, alarm system, garage door...)

Event SMS as soon as one input is connected to voltage 12V



Just connect one of the inputs of the ready STD35 to a 12 V voltage and you will receive an alarm SMS on your mobile phone (triggered e.g. by an existing alarm System, infrared sensor, temperature sensor...)

How to contact us

Telic GmbH
Raiffeisenallee 12b
D-82041 Oberhaching/Germany
Phone: +49 89 490 2686 - 0
Fax: +49 89 490 2686 - 18
Internet: www.telic.de
Mail: info@telic.de

Available Accessories

Power Supply for 230V / EU plug version, compact and light weight solution

Power Cord for direct connection to battery or internal power supply (plug for STD35 and two open wires)

GPS Mouse for direct connection to the RS232 interface

Antennas different types of GSM antennas are available on request

About Telic

Telic is a leading German supplier of Telematics and Telemetry products - based on the core technologies GSM and GPS. Telic develops and manufactures high quality products, designed to be used in industrial and automotive environment. Telic's strong partnership with GSM module manufacturers secures the competitive edge in GSM, GPRS and UMTS technologies. By using a platform concept, Telic is able to react flexible and fast to customer's requirements. This leads to cost efficient solutions for system integrators and solution providers.

Telic Product Portfolio

STD32 and STD35 are the cost efficient base for Telemetry applications, providing a ready to start hardware with flexible configuration options of the embedded software.



Professional BC is the professional GSM/GPS -tracking unit for fleet management and security solutions with a wide range of I/Os and RS232 port options.



Standard BC is the standard but also powerful unit for the efficient fleet management and route optimization. Small, compact, fast and simply to be installed it convinces with its features and abilities.



HiPer Pro is the personal tracking and communication device containing GSM and GPS-functionality and antennas in a mobile, designed for personal security needs.



Picotrack is an ultra small and mobile GSM / GPS device for people, assets, and security tracking. The integrated battery and build in antennas guaranties an universal operation.

